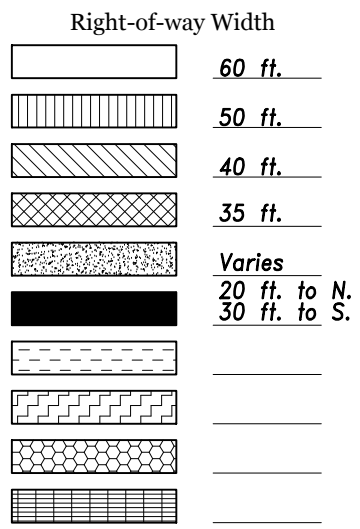
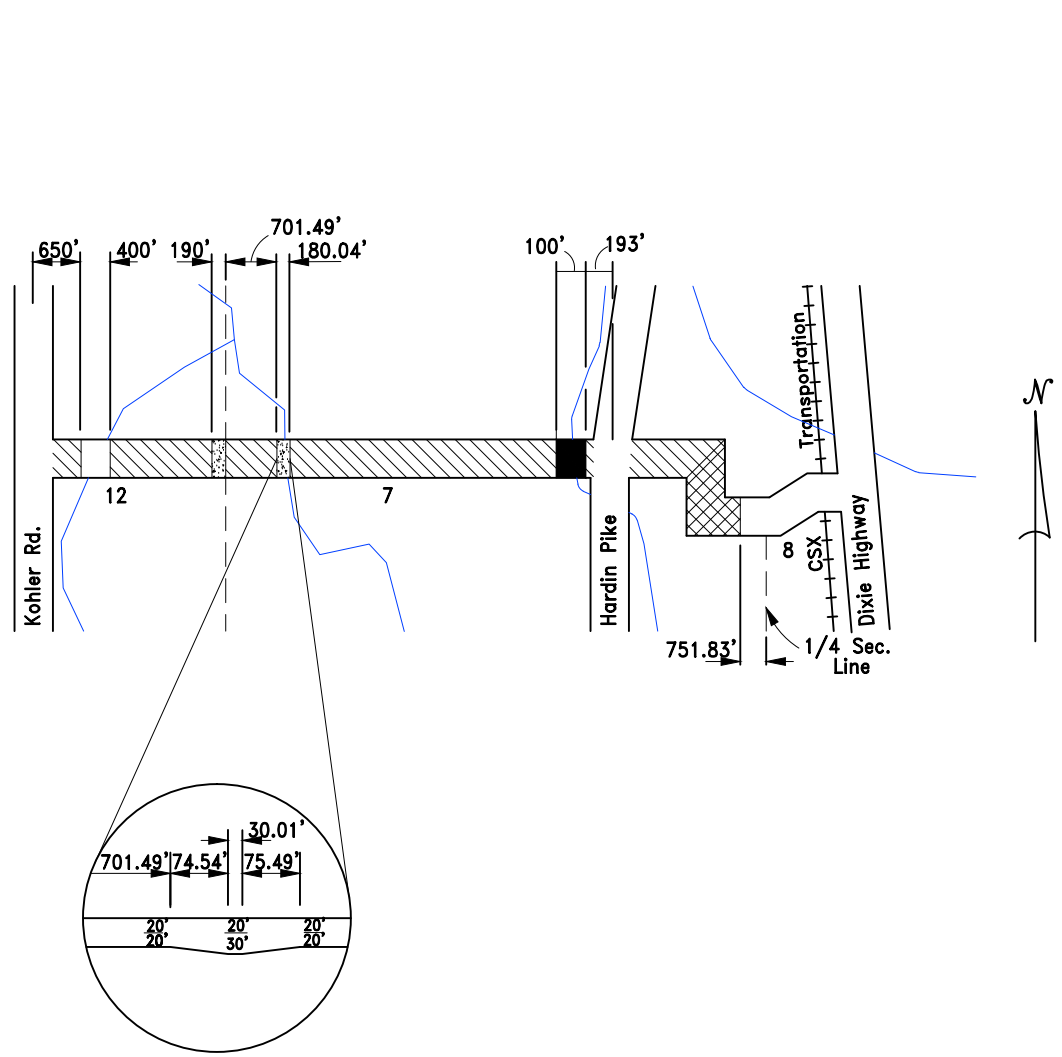


Auglaize County Road Records

Road Name: Owl Creek Rd.
Road Number: 126

Petitioner(s)	Year Viewed	Year Granted	Origin of Road				Road Improvements								Width	General Location of Road By Road Entries
			BOCC Journal Volume	BOCC Journal Page	Road Journal Volume	Road Journal Page	BOCC Journal Volume	BOCC Journal Page	Improv. Journal Volume	Improv. Journal Page	Deed Volume Volume	Deed Volume Page	Plat Book Volume	Plat Book Page		
R. McCullough	1850	1851	1	99	3	79								40'	Center Sec. 12, T6S, R5E to Dixie Highway	
C. Herbst		1901	10	91	4	115								33'	906' west of Dixie Highway to 16.5' east of NE corner W 1/2 SW 14 Sec. 8, T6S, R6E	
Township Trustees		1954												Varies	S-curve at East Sec. line Sec. 12, T6S, R5E	
Township Trustees		1987												60'	650' east to 1050' east of Center of Sec. 12, T6S, R5E	
Township Trustees		2000												60'	751.83' west of 1/4 Sec. line Sec. 8, T6S, R6E to Dixie Highway (Vacate old road)	
Township Trustees		2010												Varies	701.49' east to 881.53' east of the Twp. line	
Township Trustees		2017												Varies	193' east of Hardin Pike 293' east of Hardin Pike (30' to South)	



Old Road Name(s)
Burke-Lenox Rd. (1917)